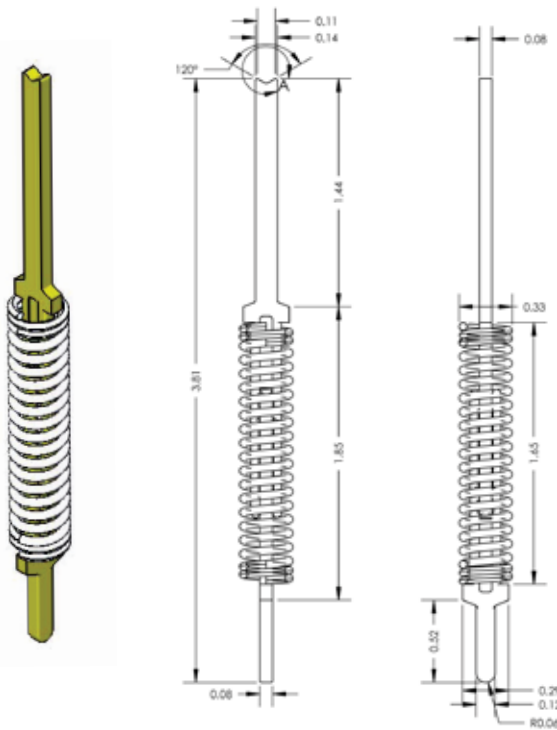


**High performance...**  
**...very low cost**



### MECHANICAL PROPERTIES

Pitch: 0.40mm (min)  
 Working Travel: 0.40mm  
 Contact Force : 14.3gf  
 Length: 2.89mm to 3.81mm  
 Operating Temperature: -55°C to +180°C  
 Mechanical Life: >50,000 cycles

### ELECTRICAL PROPERTIES

Contact Resistance: <50 mΩ  
 Current Rating (free air): 1.8A  
 Self Inductance: 0.75 nH  
 Capacitance: 0.067 pF  
 Bandwidth @ -1dB: 10.0 GHz

### MATERIALS

Stamped Contact: BeCu, Au Plate  
 Spring: SS, Au Plate

- ✓ Access to a high performance pin at a very low cost
- ✓ Ability to reduce cost through blanket purchases
- ✓ Stable high volume, 100% automated supply chain
- ✓ On-site inventory – zero cost and zero lead-time

## H033DL1A

H033 D L 1 A

**H-Pin Series**

H033 – 0.40mm

**Options**

A – Au Plating

**Spring Type**

(full deflection)

1 = 15.3gf

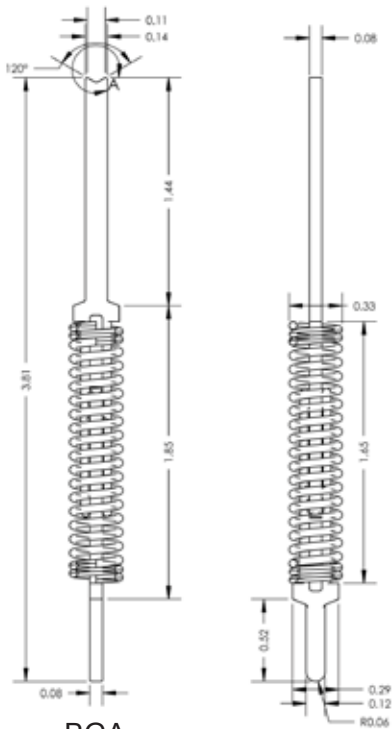
**Top Contactor**

D - BGA TIP

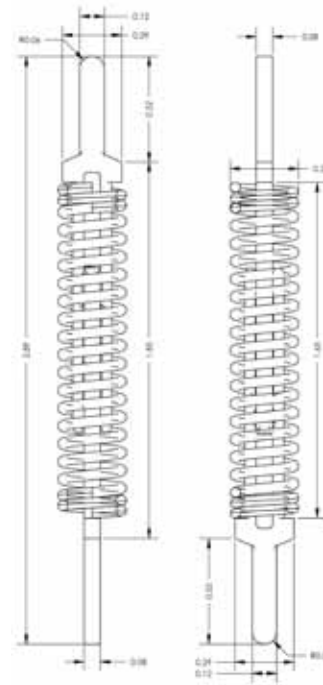
L - LGA TIP

**Bottom Contactor**

L – LGA TIP



BGA  
H033DL1A



LGA  
H033LL1A