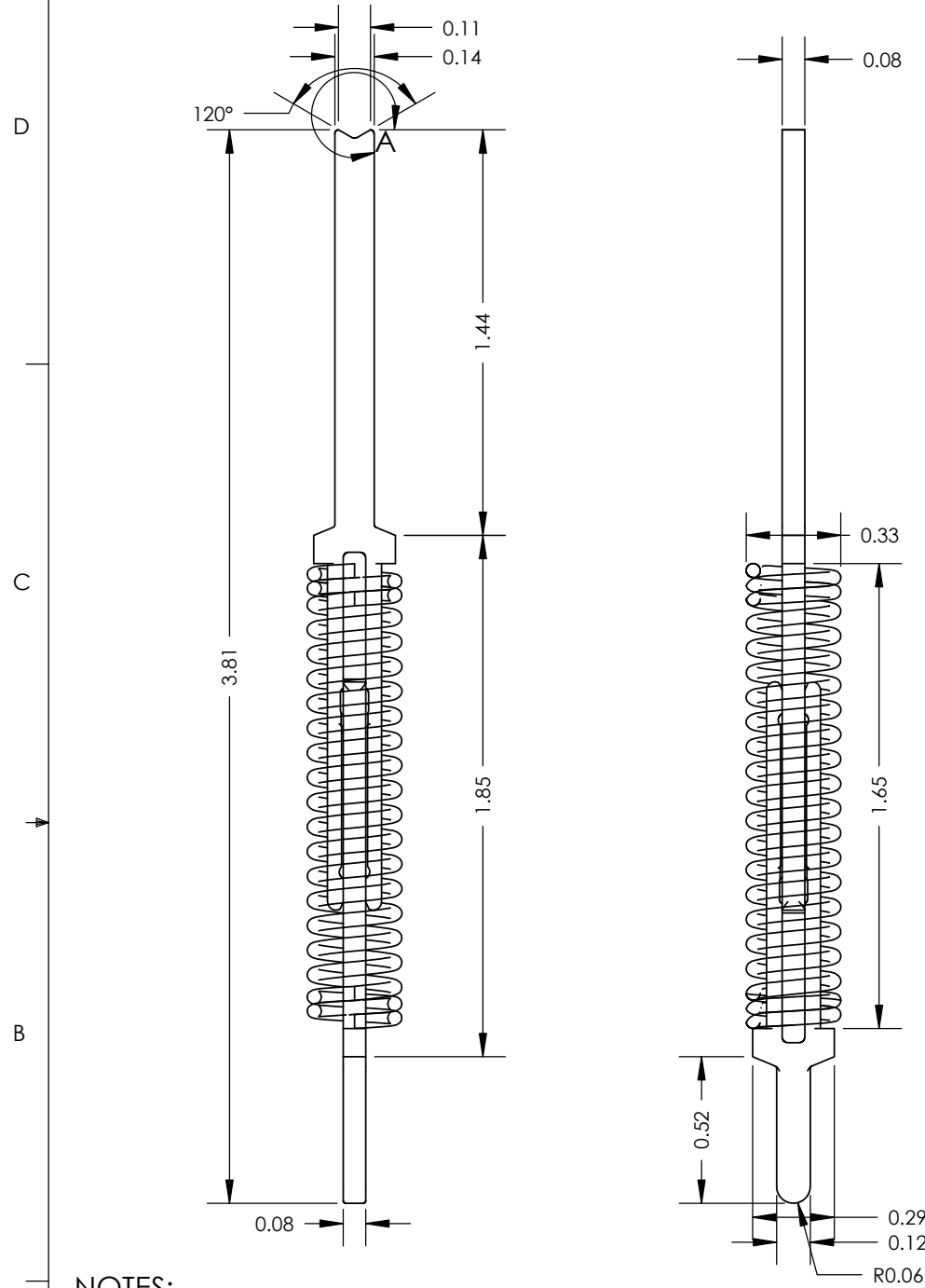
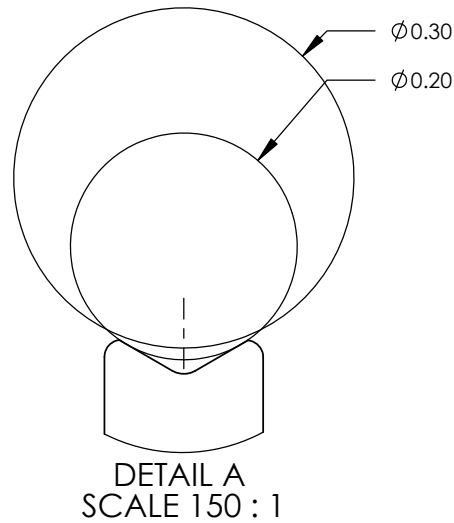


H033DL1A BGA VERSION

REVISIONS				
REV.	ECO NO.	DESCRIPTION	DATE	DRN
A	11-171	RELEASE TO MFG	4/14/2011	KDS
B	11-302	H028 IS NOW H033, REMOVE BB TIP (S3), UPDATE FORCES, DEFLECTIONS, .33 IS NOW .35 (D1, S1), .16 IS NOW .20 (D1, S1) (A1, S1) (D1, S2) (A1, S2)	7/18/2011	KDS
C	12-113	HOLE DIAMETER/TOLERANCE UPDATES	3/12/2012	KDS
D	13-042	UPDATED NOTES TO MATCH LATEST TEST REPORT / TOLERANCE UPDATES	1/18/2013	JLO
E	NA	0.35 +0.03 / 0 IS NOW 0.36 +0.02 / 0	2/21/2013	KDS

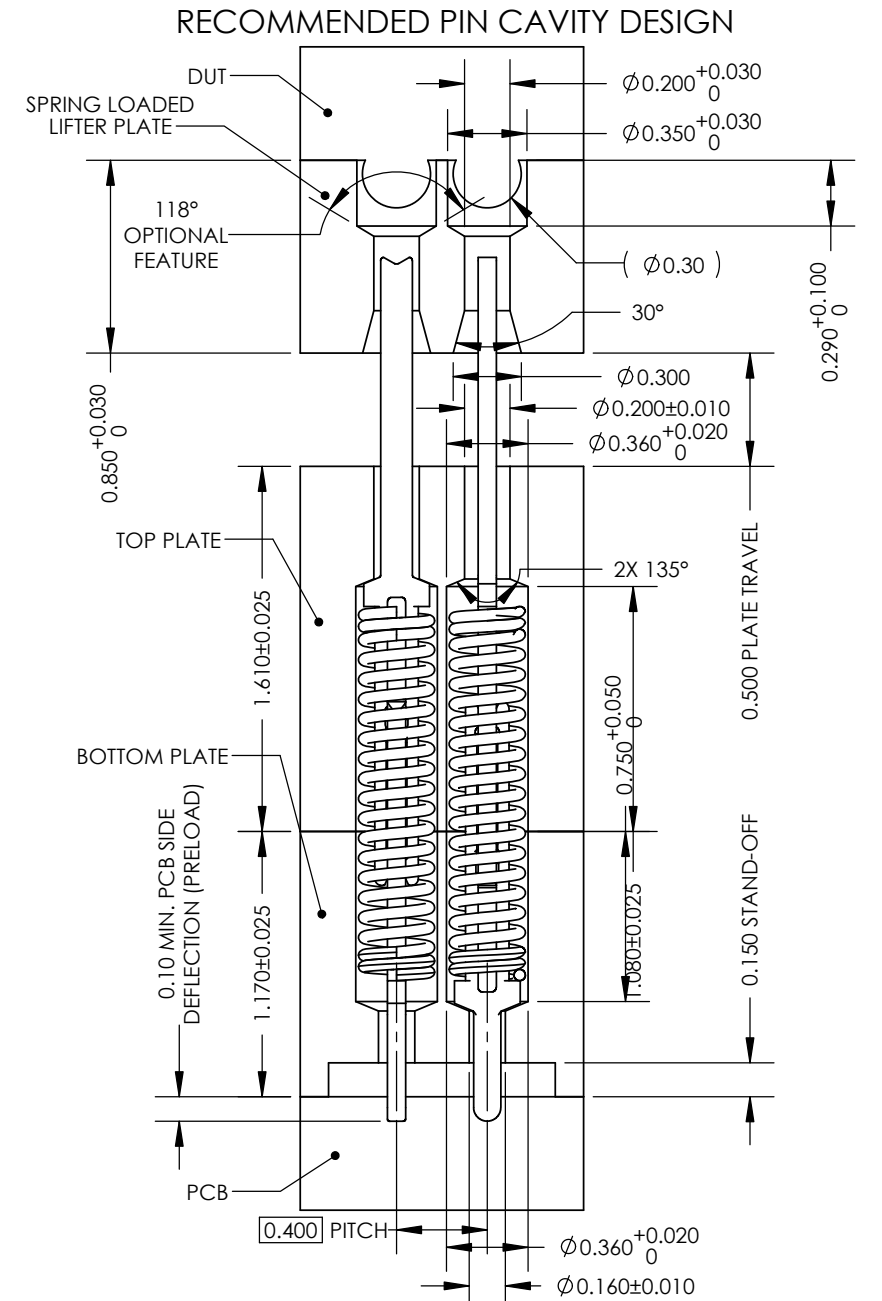


ACCEPTABLE BALL DIAMETERS



H033 X L 1 A

- PIN SERIES
- TOP CONTACT
D=BGA TIP
L=LGA TIP
- BOTTOM CONTACT
L=LGA TIP
- SPRING OPTIONS
1=1.4, 3±3mmgF @ 0.40mm MAX. DEFL.
- PLATING OPTIONS
A=AU PLATING

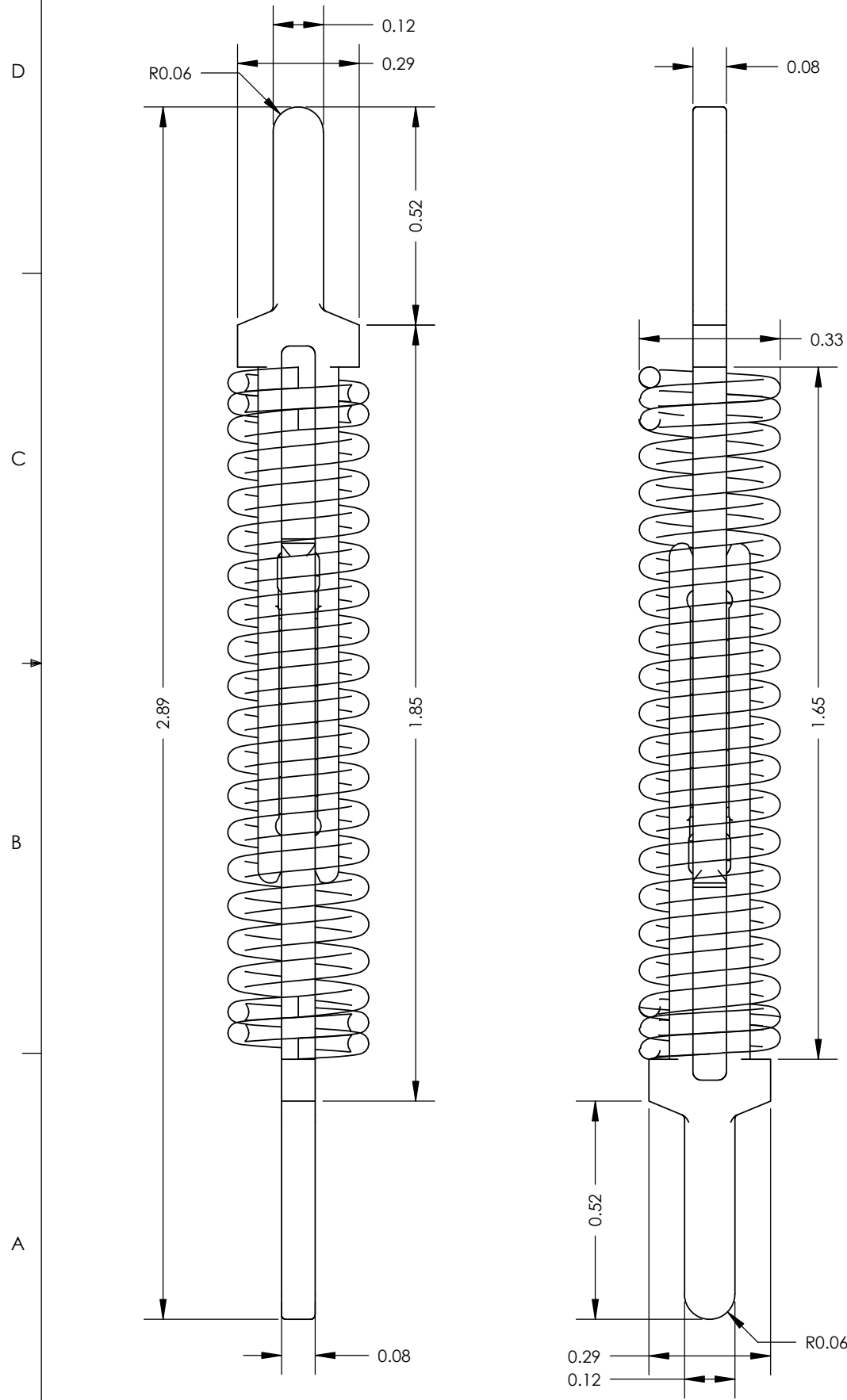


- NOTES:**
- RECOMMENDED PCB PRELOAD: 0.10mm MIN
 - CONTACT MATERIAL: BeCu, Au PLATED OVER Ni
 - SPRING MATERIAL: STAINLESS STEEL, Au PLATED OVER Ni
 - POINTING ACCURACY OF TIP: \pm OF 0.068mm
 - OPERATING TEMP: -55°C TO +180°C
 - CONTACT RESISTANCE: <50 mΩ
 - CURRENT RATING: 1.8A @ ROOM TEMP WITH 30°C TEMP RISE
 - BANDWIDTH @ -1dB: 10 GHz
 - SELF INDUCTANCE : 0.98nH
 - MECHANICAL LIFE : >125,000 CYCLES
 - PINS ARE SUPPLIED PACKAGED IN AN ANTI-STAT BAG WHICH IS PLACED INSIDE A FOAM-LINED BOX

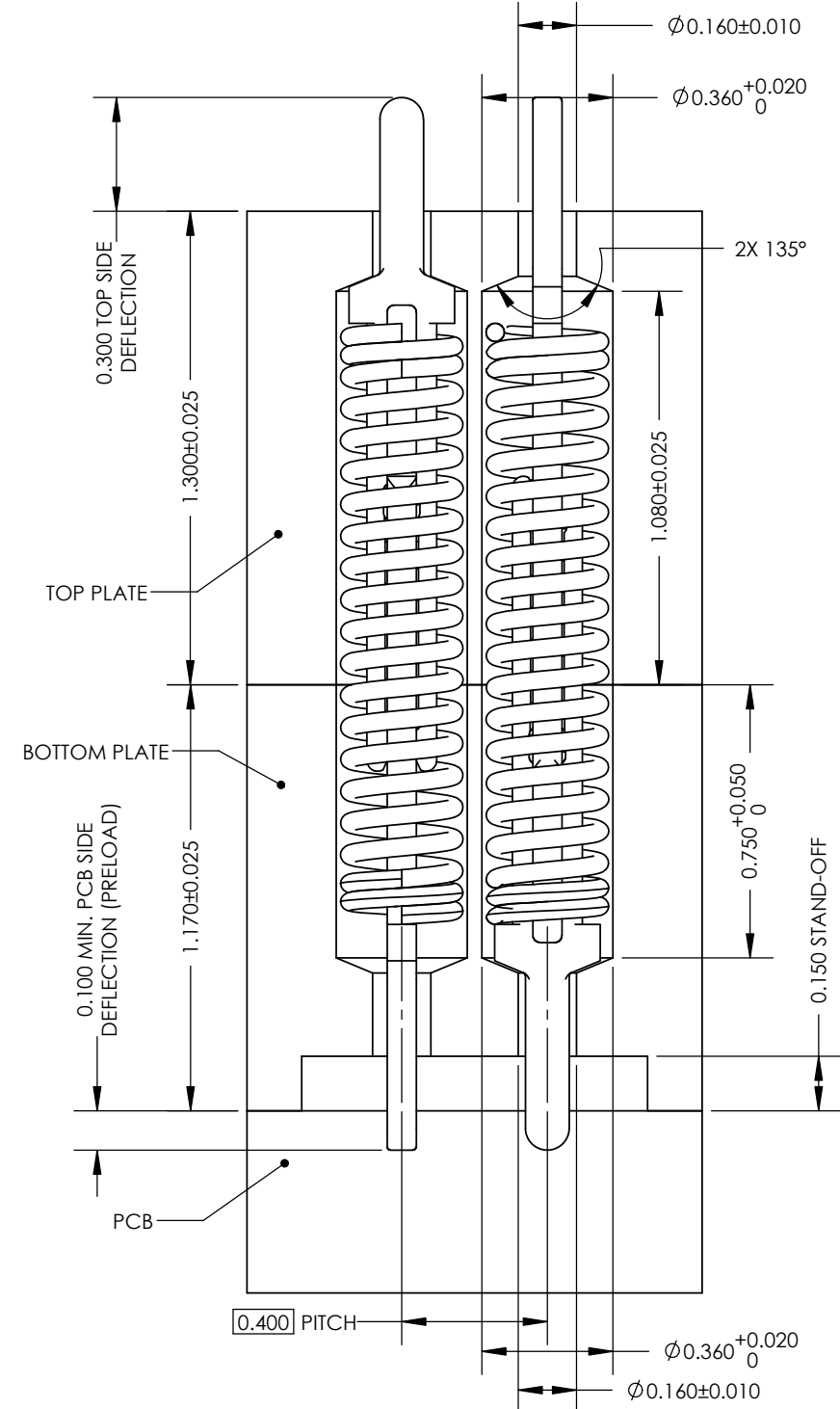
H033XL1A SERIES FORCE DATA	
DESCRIPTION	H033XL1A
FORCE @ PIN PRELOAD (0.00mm DEFLECTION)	6.6 gF
FORCE @ PCB MOUNT (0.10mm DEFLECTION)	8.5 gF
FORCE @ WORKING TRAVEL (0.40mm DEFLECTION)	14.3 gF


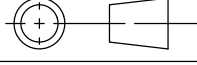
UNLESS OTHERWISE SPECIFIED		NAME	DATE	2601 Texas Drive Irving, TX 75062
DIMENSIONS APPLY AFTER PLATING SOLIDWORKS CREATED FILE		DRAWN	4/14/2011	
PROPRIETARY INFORMATION THIS DRAWING AND SUPPORTING CAD DATA IS PROPERTY OF PLASTRONICS SOCKET COMPANY		CHECKED		TITLE: H033XXXX SERIES 0.40mm H-PIN SALES DRAWING
		ENG APPR.		MATERIAL: SEE NOTES
		MFG APPR.		FINISH: SEE NOTES
		SIZE: B	UNITS: mmgs	REV E
		SCALE: VAR.	DWG NO. SH033XXXX	SHEET 1 OF 2

H033LL1A LGA VERSION



RECOMMENDED PIN CAVITY DESIGN



UNLESS OTHERWISE SPECIFIED	NAME	DATE	 PLASTRONICS SOCKETS & CONNECTORS	2601 Texas Drive Irving, TX 75062	
 DIMENSIONS APPLY AFTER PLATING SOLIDWORKS CREATED FILE	DRAWN	4/14/2011		TITLE: H033XXXX SERIES 0.40mm H-PIN SALES DRAWING	
PROPRIETARY INFORMATION THIS DRAWING AND SUPPORTING CAD DATA IS PROPERTY OF PLASTRONICS SOCKET COMPANY	CHECKED		MATERIAL: SEE NOTES		
	ENG APPR.		FINISH: SEE NOTES		REV
	MFG APPR.				E
SIZE: B	UNITS: mmgs	SCALE: VAR.			DWG NO. SH033XXXX
					SHEET 2 OF 2